

Optimum Roller Ball Lock

INTERLOCK™
ASSA ABLOY

ASSA ABLOY, the global leader
in door opening solutions.



The Optimum Roller Ball Lock is designed to provide a roller ball locking option that suits a wide range of door sizes and applications. The design allows for optimal latch adjustment and positive latching, to suit most user needs.

Features

- Can be keyed alike to other ASSA ABLOY CYL4™ locks for one key convenience
- Adjustable latch projection
- Adjustable latching strength
- Stainless steel forend plate
- New Zealand made

Options

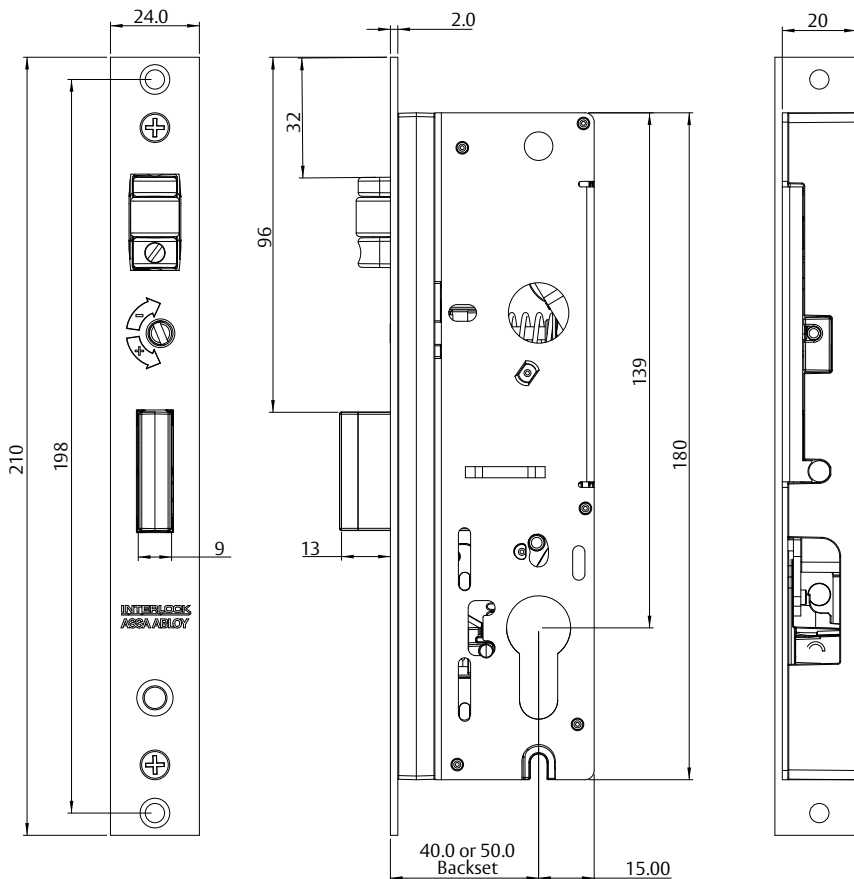
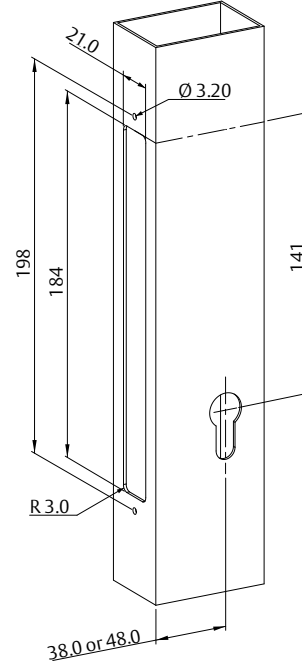
- Available in 40mm and 50mm backsets
- Double cylinder, cylinder and turnknob, half cylinder or half turnknob
- Strike options to suit timber & aluminium doors
- Available as lock only or as part of a pull handle kit



Optimum

Roller Ball Lock

INTERLOCK™
ASSA ABLOY



RES-FEY-070-0910NZ

ASSA ABLOY New Zealand Ltd.
PO Box 100407, North Shore
North Shore City 0745

6 Armstrong Road, Albany
North Shore City 0632
New Zealand

Within New Zealand:
Tel +64 9 415 8031
Fax 0800 478 297
www.assaabloy.co.nz

Outside New Zealand:
Tel +64 9 921 7630
Fax +64 9 921 6504
www.assaabloy.co.nz

ASSA ABLOY, the global leader
in door opening solutions.